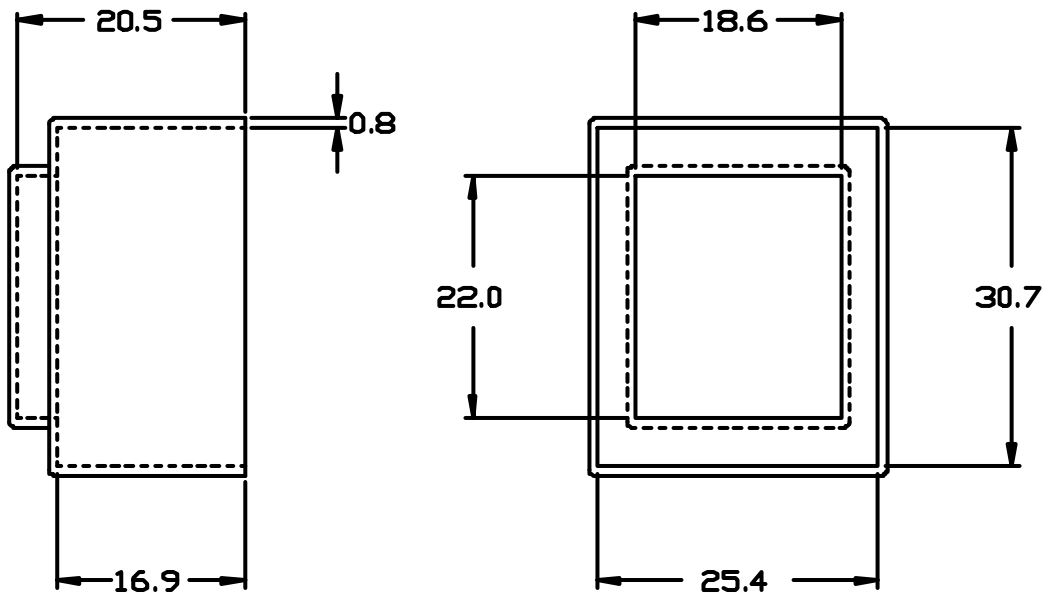


Part No. N30109

EI30 x 10.5 Low Profile 'N' Range Box



Dimensions in millimetres.

